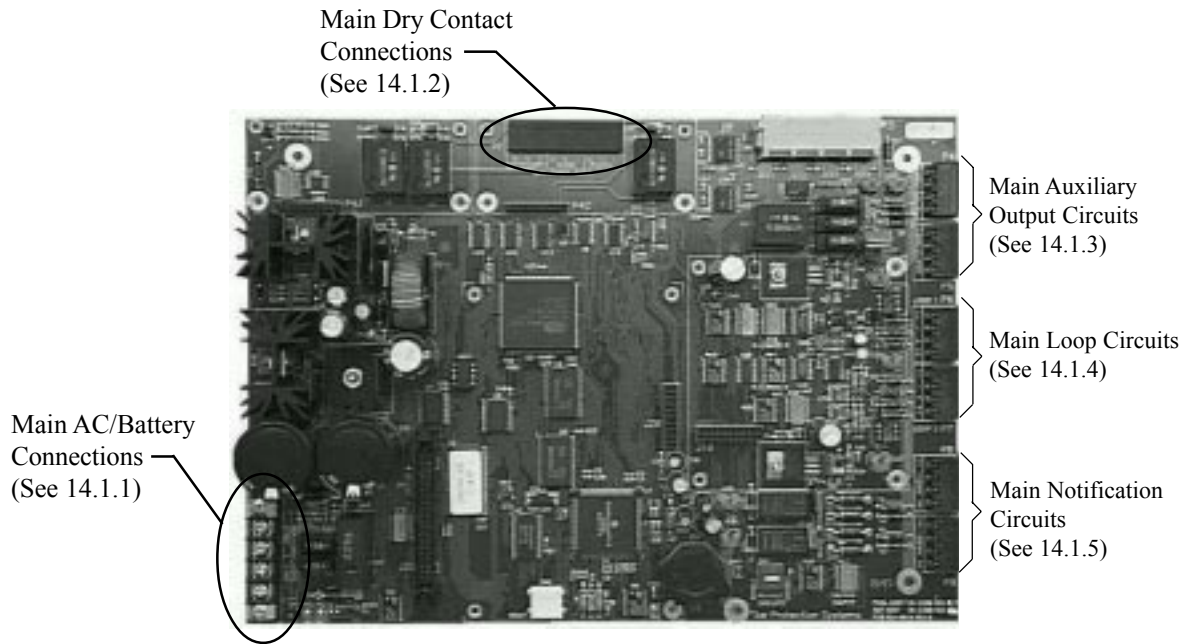
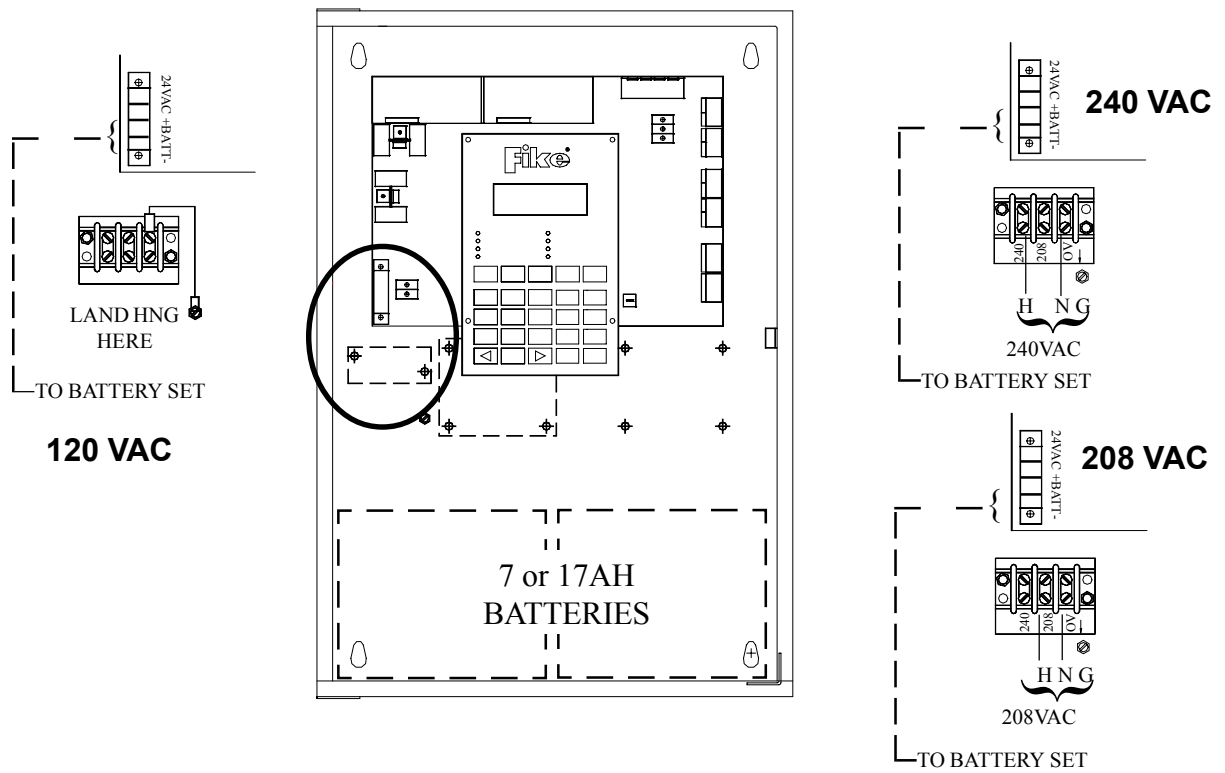


CHAPTER 14 WIRING DIAGRAMS

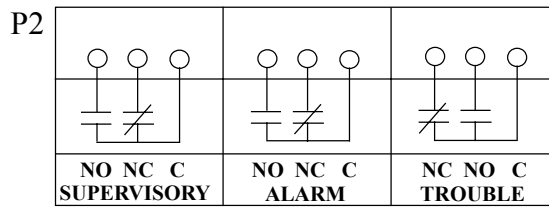
14.1 Cheetah Control Board



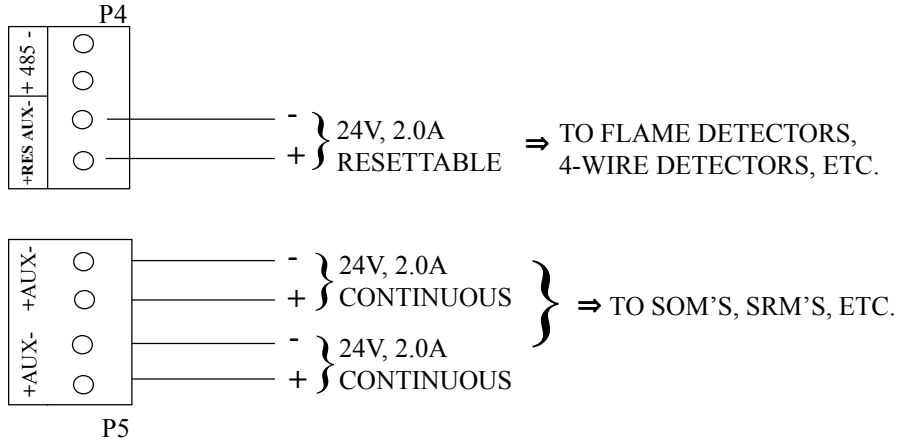
14.1.1 Main AC/Battery Connections



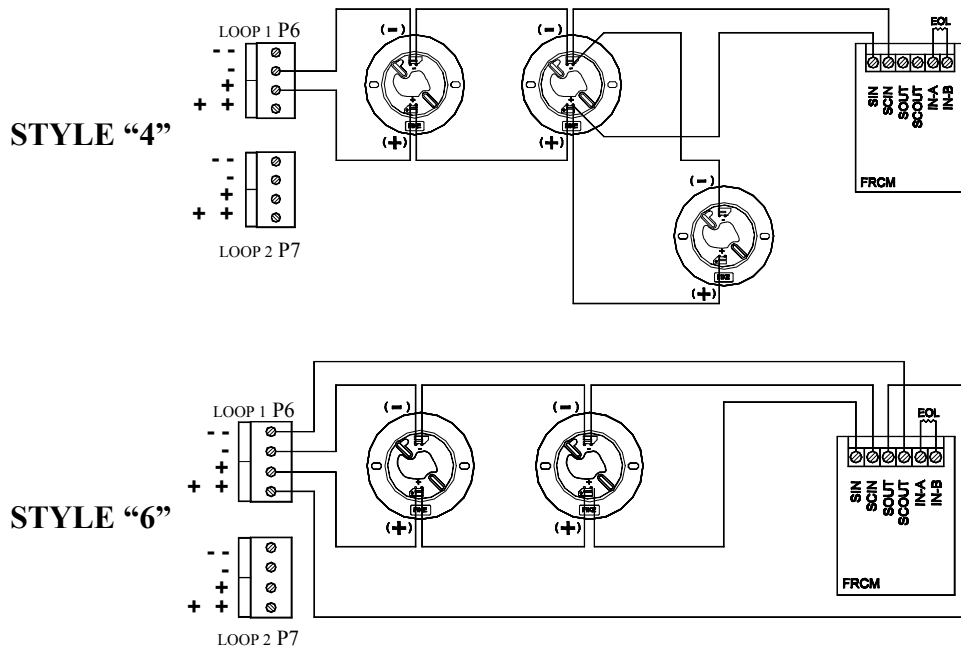
14.1.2 MAIN DRY CONTACT CONNECTIONS



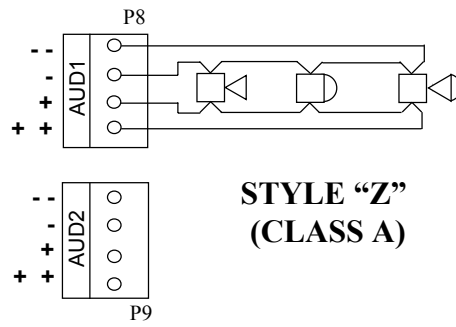
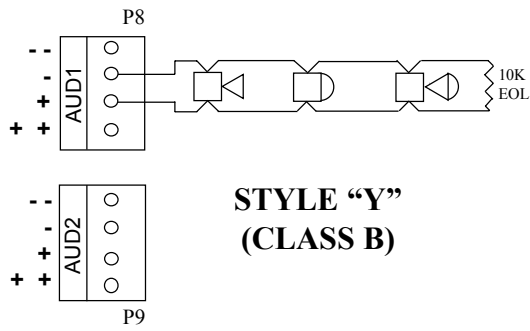
14.1.3 MAIN AUX OUTPUT CIRCUITS



14.1.4 MAIN LOOP CIRCUITS



14.1.5 MAIN NOTIFICATION CIRCUITS



14.2 SUPPLEMENTAL POWER SUPPLY (SPS) 10-2201-p

